

# AGF503-60

## Product Application

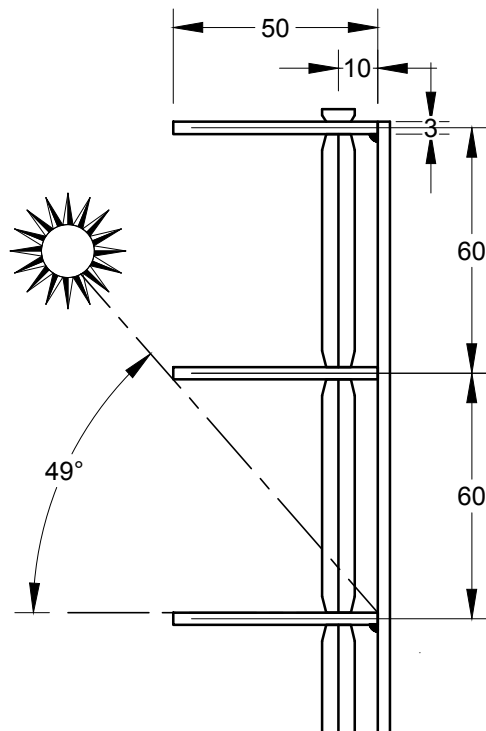
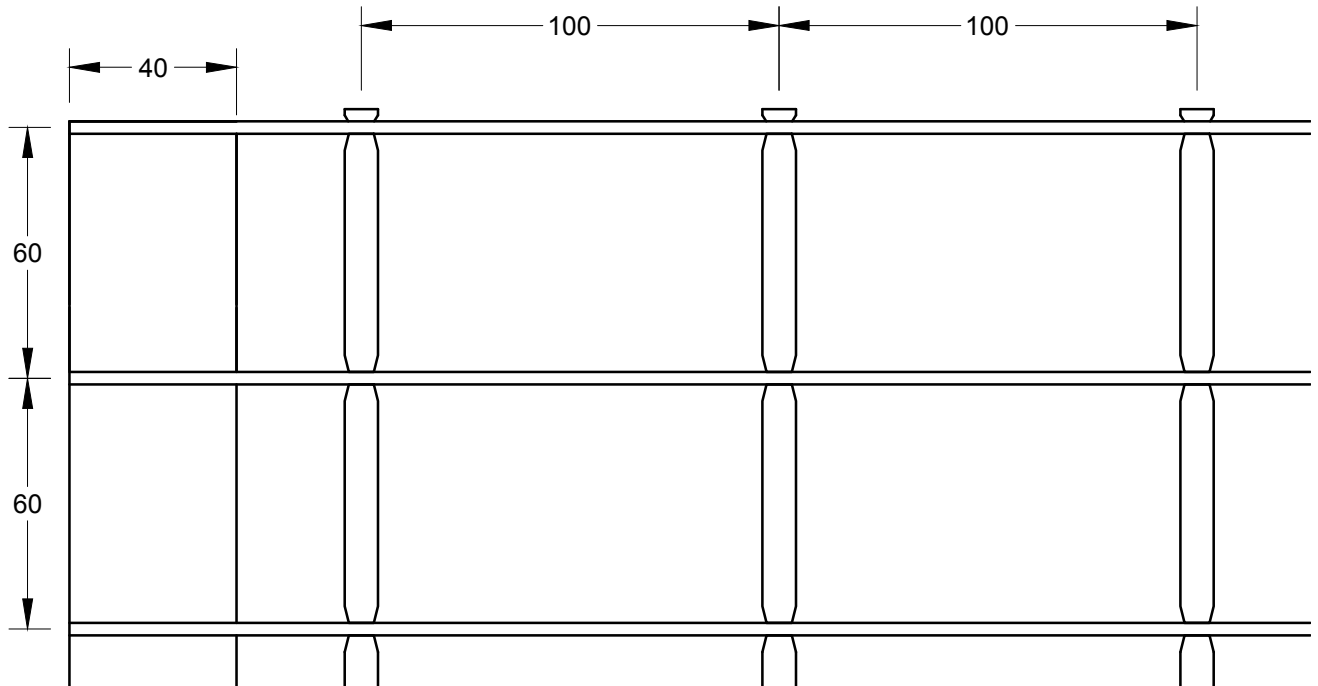
Cyclone debris deflection screen  
Trafficable  
Horizontal or Vertical application  
Sunscreens

## Product Details

### AGF503-60

Blade - 50 x 3mm flatbar  
Pitched @ 60mm centres  
Cross Bars - 8 x 8mm sq bar  
Cross Bar centres - 100mm  
Sun Angle - 49°  
Mass per m<sup>2</sup> - 9.1kg

A & G Fabrications is a 100% Australian Owned.  
All A & G aluminium screens are proudly designed and manufactured in Australia



**A&G Fabrications**