

AGF406-30

Product Application

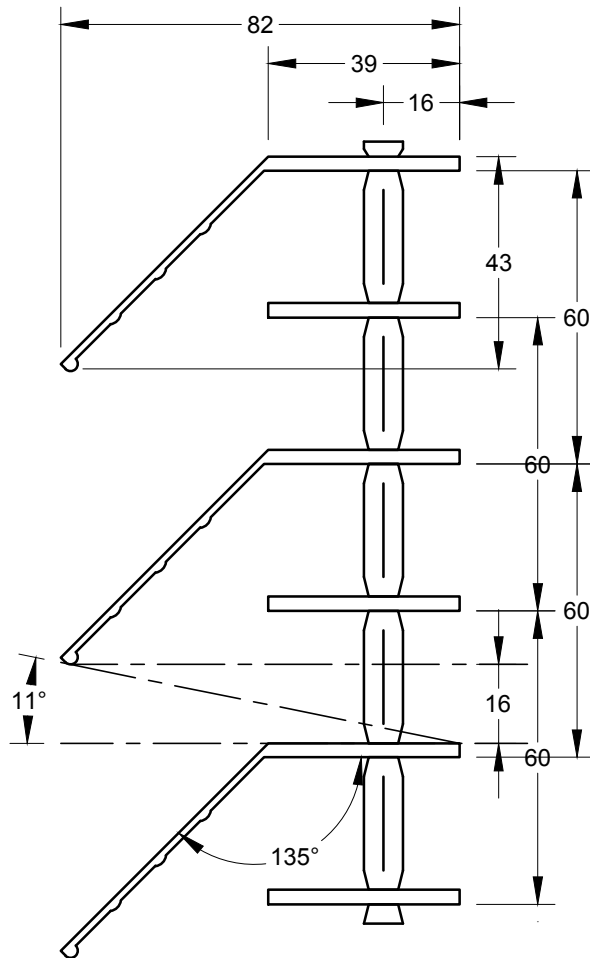
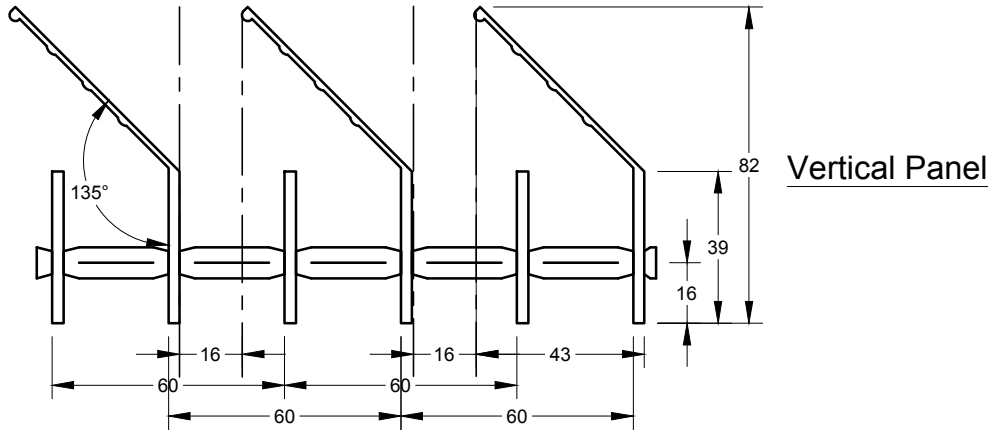
Cyclone debris deflection screen
Non Trafficable
Horizontal or Vertical application
Plant Enclosures
Sunscreens

Product Details

AGF406-30

Blade - 39 x 82
Flat - 32 x 3
Pitched @ 60mm centres
Cross Bars - 8 x 8mm sq bar
Cross Bar centres - 100mm
Sun Angle - 11°
Mass per m2 - 16.6kg

A & G Fabrications is a 100% Australian Owned.
All A & G aluminium screens are proudly designed and manufactured in Australia



Vertical Panel

Horizontal Panel



A&G Fabrications