

AGF323-60

Product Application

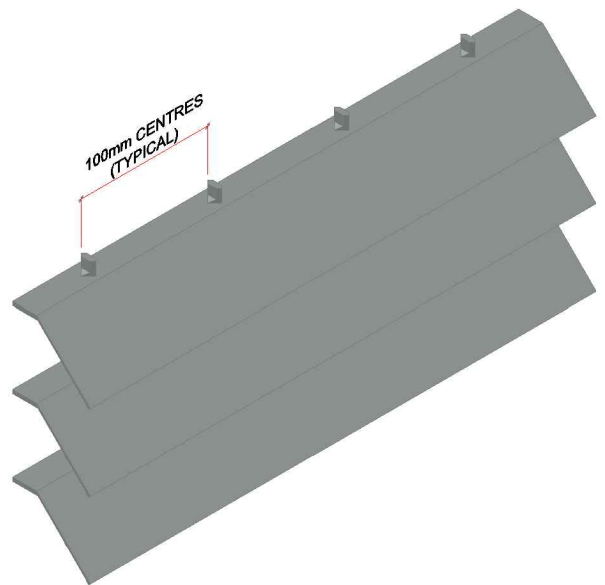
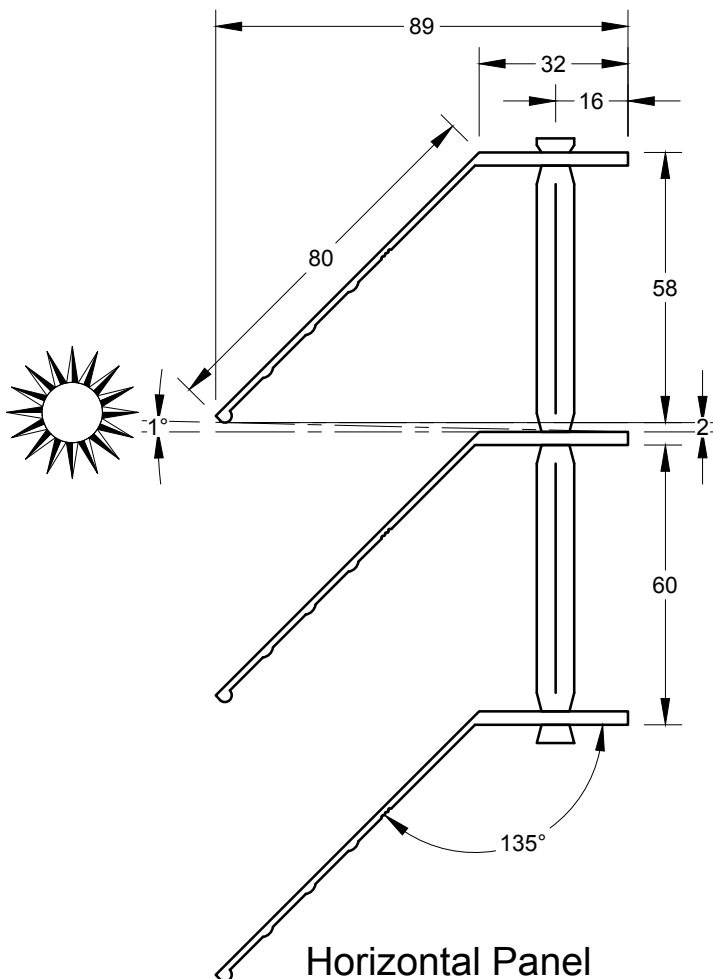
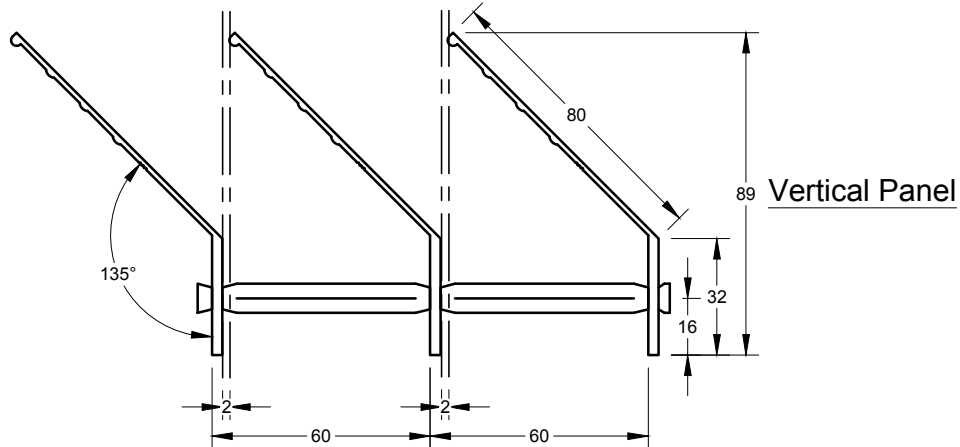
Cyclone debris deflection screen
Non Trafficable
Horizontal or Vertical application
Plant Enclosures
Sunscreens

Product Details

AGF323-60

Blade - 32 x 80
Pitched @ 60mm centres
Cross Bars - 8 x 8mm sq bar
Cross Bar centres - 100mm
Sun Angle - 13°
Mass per m2 - 12kg

A & G Fabrications is a 100% Australian Owned.
All A & G aluminium screens are proudly designed and manufactured in Australia



A&G Fabrications