

AGF323-160

Product Application

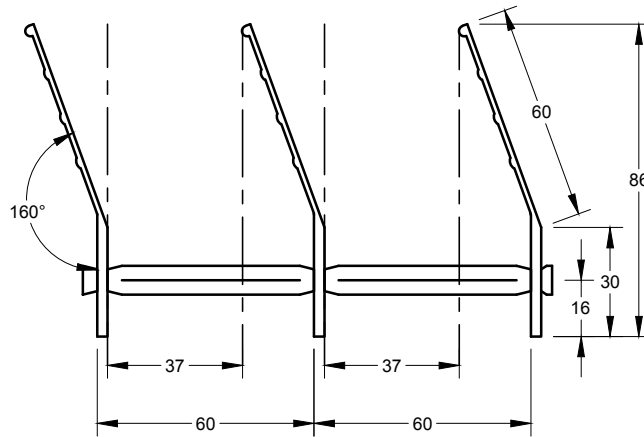
Cyclone debris deflection screen
Non Trafficable
Horizontal or Vertical application
Plant Enclosures
Sunscreens

Product Details

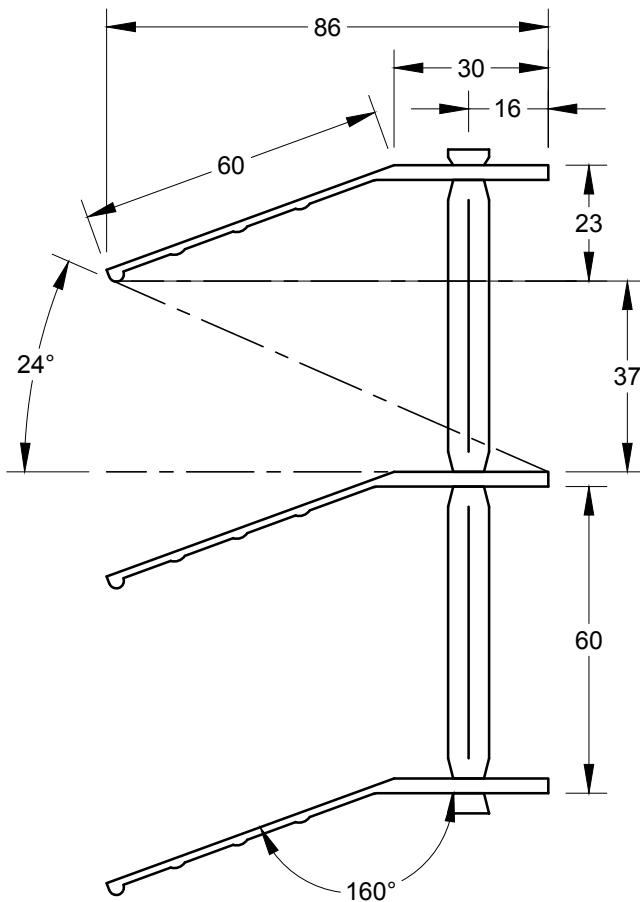
AGF323-160

Blade - 30 x 60
Pitched @ 60mm centres
Cross Bars - 8 x 8mm sq bar
Cross Bar centres - 100mm
Sun Angle - 24°
Mass per m² - 11.2kg

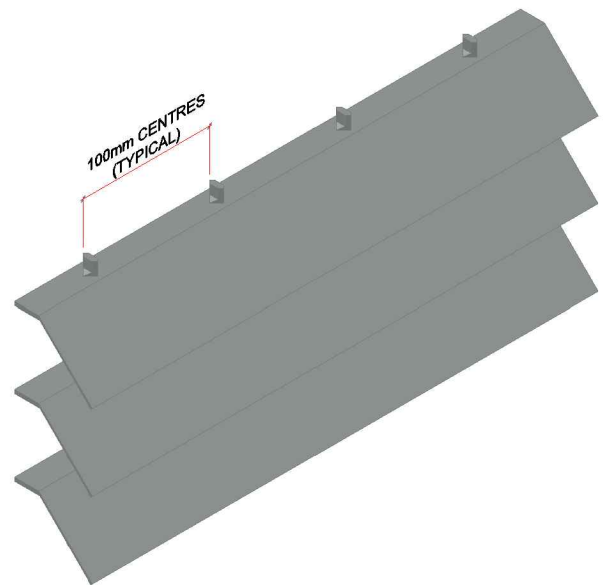
A & G Fabrications is a 100% Australian Owned.
All A & G aluminium screens are proudly designed and manufactured in Australia



Vertical Panel



Horizontal Panel



A&G Fabrications