

AGF253-60

Product Application

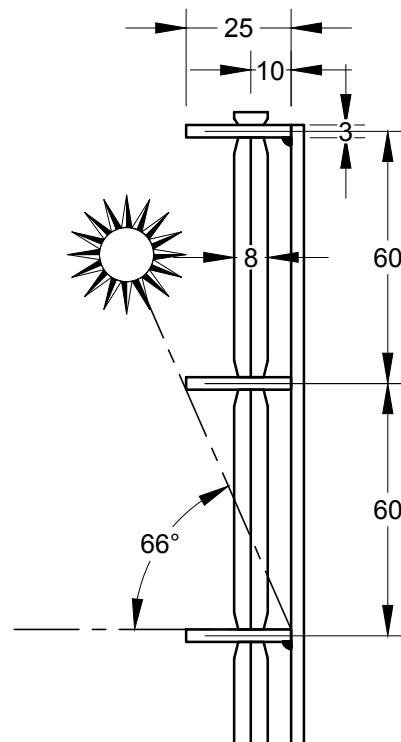
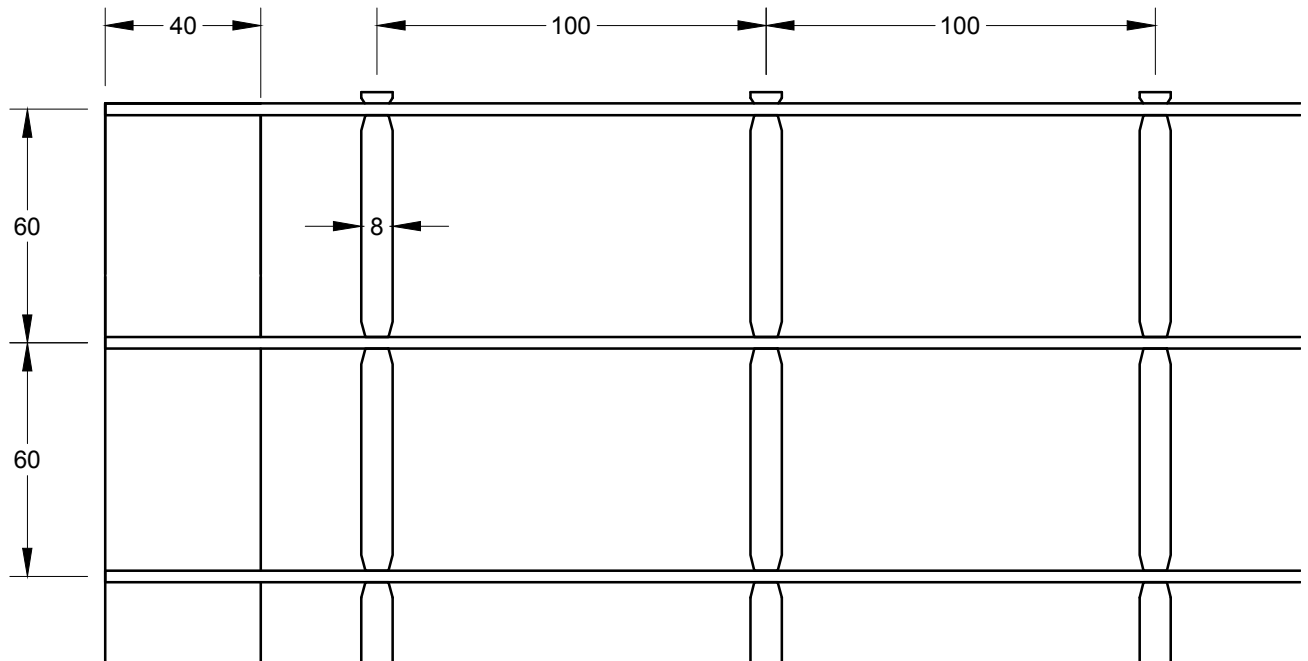
Cyclone debris deflection screen
Trafficable
Horizontal or Vertical application
Screens

Product Details

AGF253-60

Blade - 25 X 3mm flatbar
Pitched @ 60mm centres
Cross Bars - 8 x 8mm sq bar
Cross Bar centres - 100mm
Sun Angle - 66°
Mass per m2 - 5.1kg

A & G Fabrications is a 100% Australian Owned.
All A & G aluminium screens are proudly designed and manufactured in Australia



A&G Fabrications