

Product Application

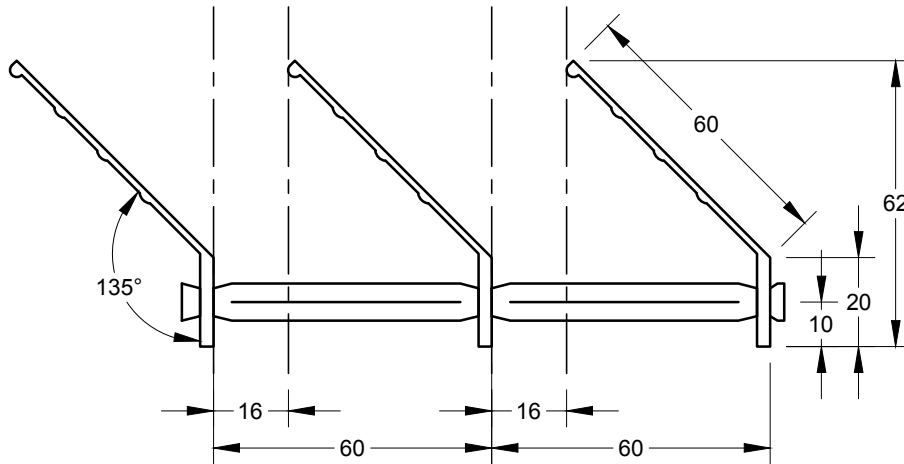
Cyclone debris deflection screen
Non Trafficable
Horizontal or Vertical application
Plant Enclosures
Sunscreens

Product Details

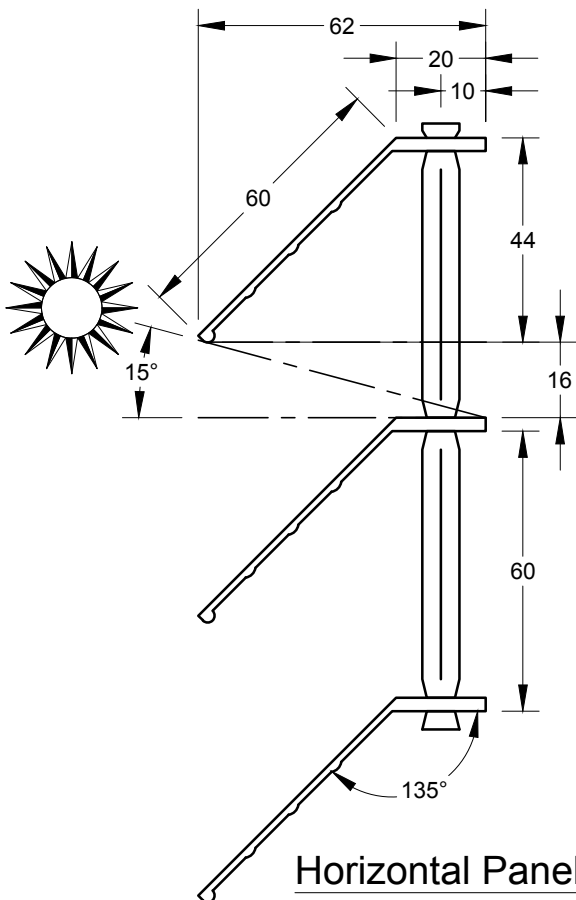
AGF002

Blade - 20 x 60
Pitched @ 60mm centres
Cross Bars - 8 x 8mm sq bar
Cross Bar centres - 200mm
Sun Angle - 15°
Mass per m² - 7.3kg

A & G Fabrications is a 100% Australian Owned.
All A & G aluminium screens are proudly designed and manufactured in Australia



Vertical Panel



Horizontal Panel

