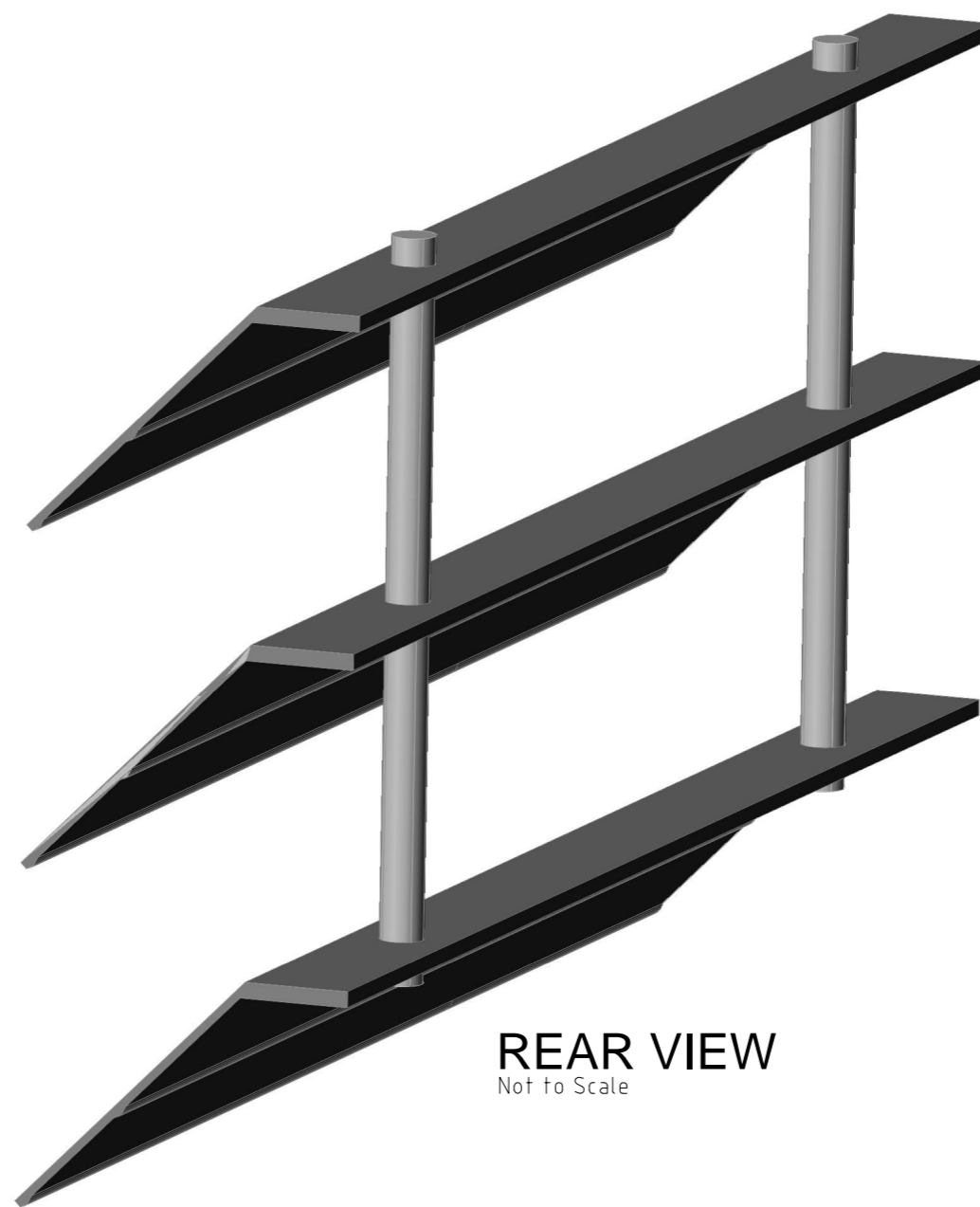
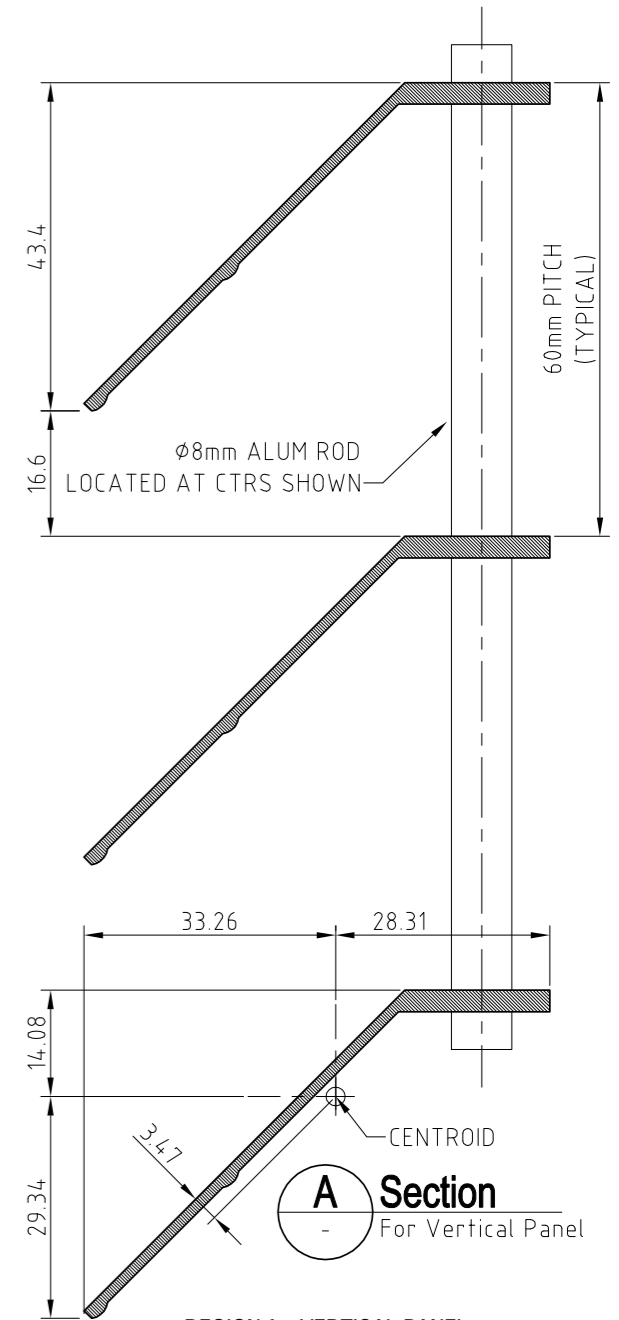


FRONT VIEW
Not to Scale



REAR VIEW
Not to Scale

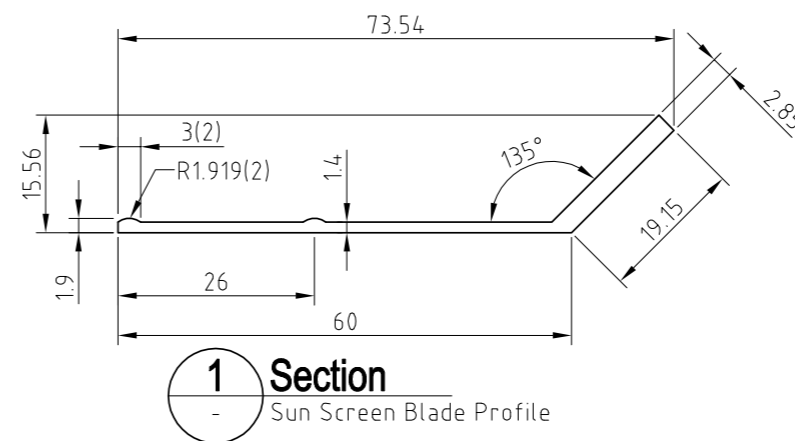
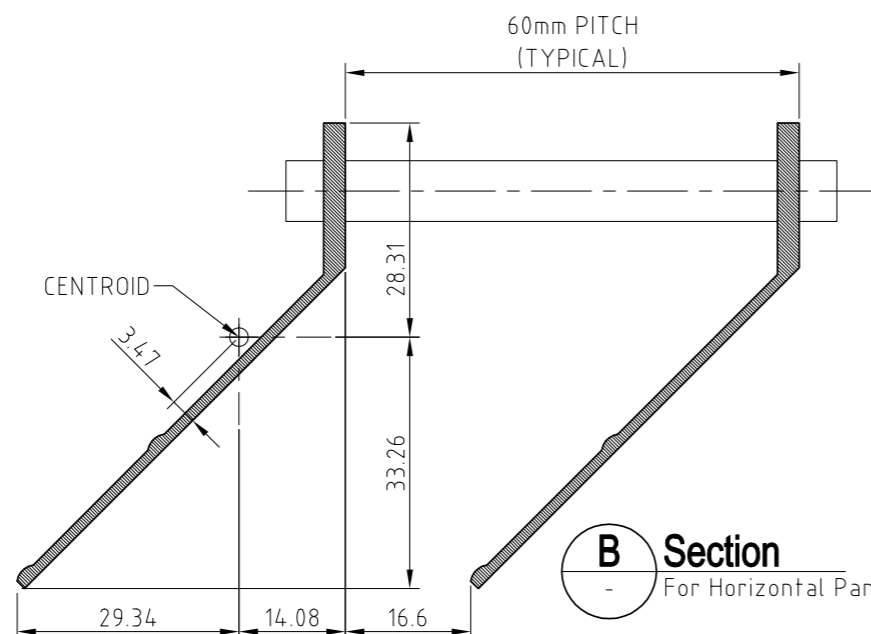


REGION for VERTICAL PANEL

Area:	140.0396
Perimeter:	161.2326
Bounding box:	X: -33.2623 -- 28.3141 Y: -29.3411 -- 14.0752
Centroid:	X: 0.0000 Y: 0.0000
Moments of inertia:	X: 27115.2790 Y: 45786.4003
Product of inertia:	XY: 33925.0622
Radii of gyration:	X: 13.9149 Y: 18.0818
Principal moments and X-Y directions about centroid:	I: 1264.7268 along [0.7954 0.6061] J: 71636.9525 along [-0.6061 0.7954]

REGION for HORIZONTAL PANEL

Area:	140.0396
Perimeter:	161.2326
Bounding box:	X: -29.3412 -- 14.0752 Y: -33.2623 -- 28.3141
Centroid:	X: 0.0000 Y: 0.0000
Moments of inertia:	X: 45786.4003 Y: 27115.2790
Product of inertia:	XY: 33925.0622
Radii of gyration:	X: 18.0818 Y: 13.9149
Principal moments and X-Y directions about centroid:	I: 1264.7268 along [0.6061 0.7954] J: 71636.9525 along [-0.7954 0.6061]



Scale 1:1 (U.N.O.)

A&G FABRICATIONS ABN 37 068 455 041	42 Success St Acacia Ridge Q 4110	
	ph: (07) 3274 5155	fax: (07) 3274 5144
Sun Screen AGF-002		June 2007 A