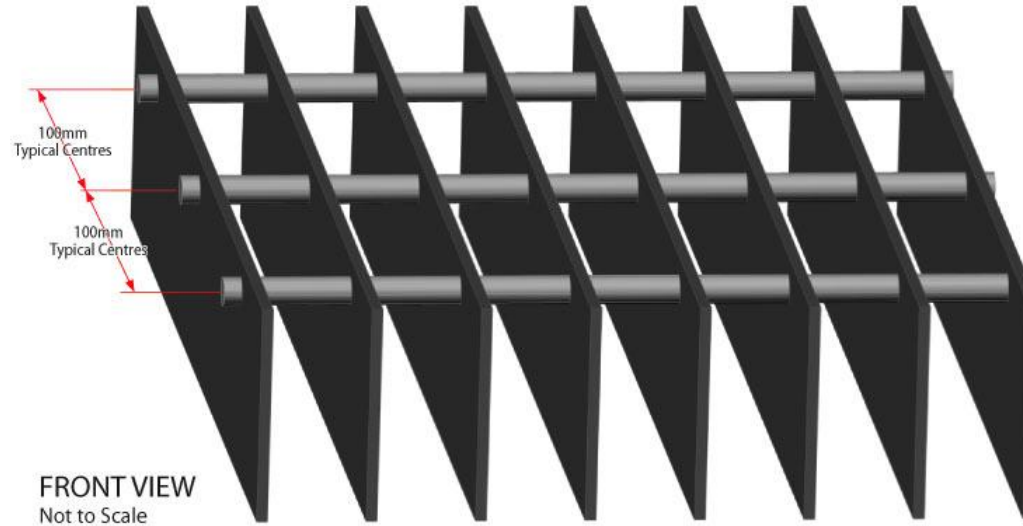
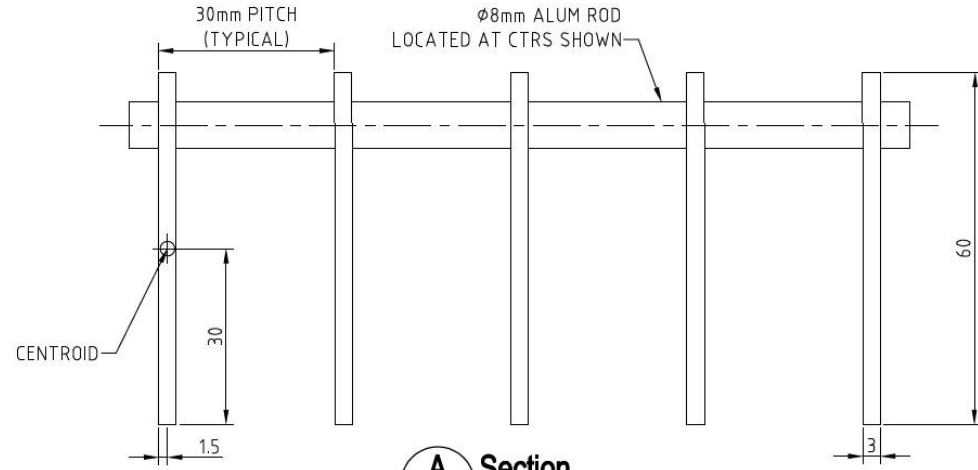


AGF 60x3



FRONT VIEW
Not to Scale



A Section
- For Horizontal Panel

REGION FOR HORIZONTAL PANEL	
Area	180.0000
Perimeter	126.0000
Bounding Box	X: -1.5000 -- 1.5000 Y: -30.0000 -- 30.0000
Centroid:	X: 0.0000 Y: 0.0000
Moments of inertia:	X: 54000.0000 Y: 135.0000
Product of inertia	XY: 0.0000
Radii of gyration	X: 17.3205 Y: 0.8660
Principal moments and X-Y direction about centroid:	I: 54000.0000 along [1.0000, 0.0000] J: 135.0000 along [0.0000, 1.0000]
Weight (kg)/m ²	18 kg per sqm

