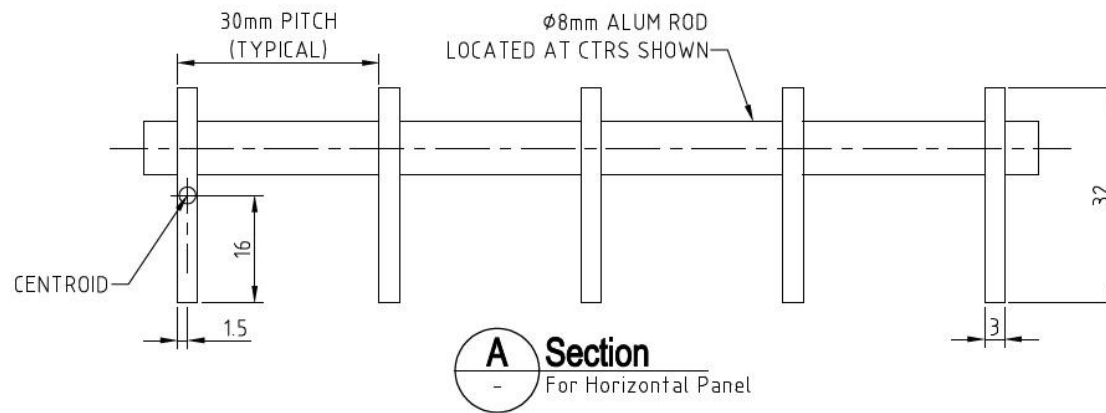


**FRONT VIEW**  
Not to Scale



REGION FOR HORIZONTAL PANEL	
Area	96.0000
Perimeter	70.0000
Bounding Box	X: -1.5000 -- 1.5000 Y: -16.0000 -- 16.0000
Centroid:	X: 0.0000 Y: 0.0000
Moments of inertia:	X: 8192.0000 Y: 72.0000
Product of inertia	XY: 0.0000
Radii of gyration	X: 9.2376 Y: 0.8660
Principal moments and X-Y direction about centroid:	I: 8192.0000 along [1.0000, 0.0000] J: 72.0000 along [0.0000, 1.0000]
Weight ( kg)/m <sup>2</sup>	10.3 kg per sqm

