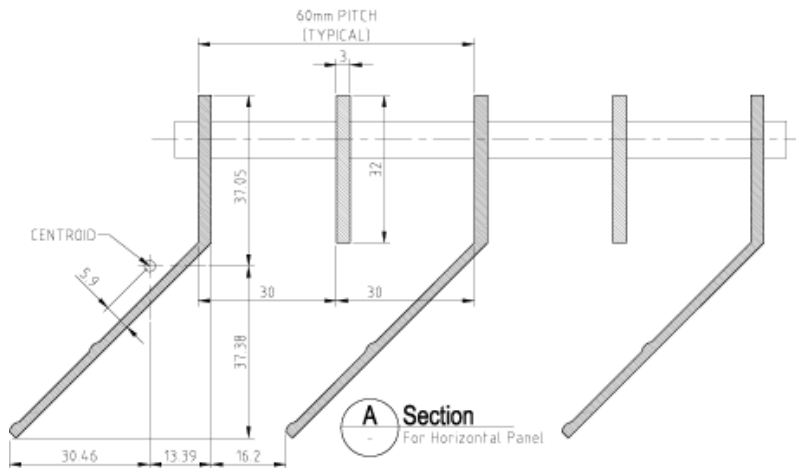
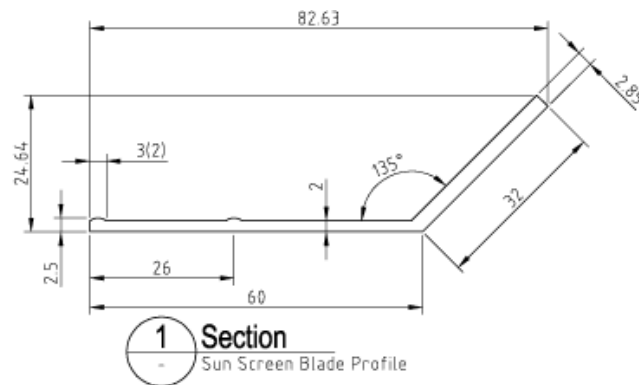


**TOP VIEW**  
Not to Scale



**REGION FOR HORIZONTAL PANEL**

Area	211.2440
Perimeter	187.2761
Bounding Box	X: -30.4552 -- 13.3854 Y: -37.3795 -- 37.0469
Centroid:	X: 0.0000 Y: 0.0000
Moments of inertia:	X: 96364.7917 Y: 40626.5566
Product of inertia	XY: 57906.0748
Radii of gyration	X: 21.3583 Y: 13.8680
Principal moments and X-Y direction about centroid:	I: 4232.1448 along [0.5321, 0.8467] J: 132759.2035 along [-0.8467, 0.5321]
Weight ( kg)/m <sup>2</sup>	6 kg per sqm

