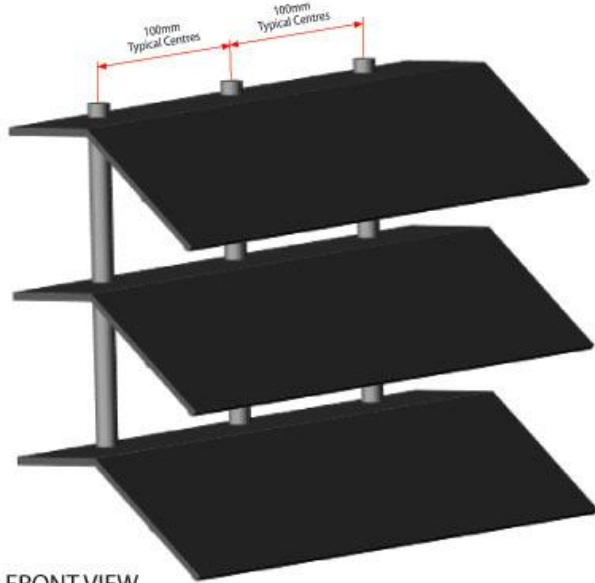


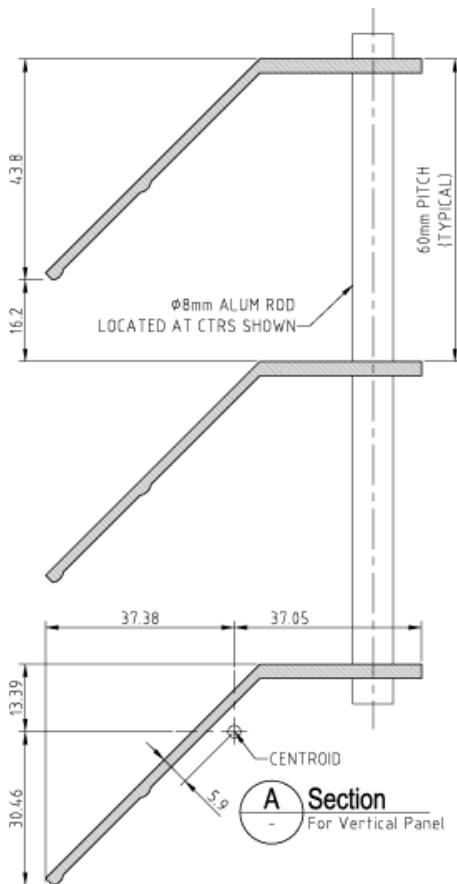
AGF 323-60



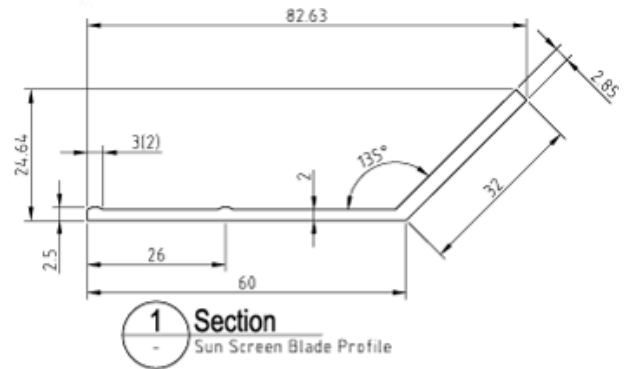
FRONT VIEW
Not to Scale



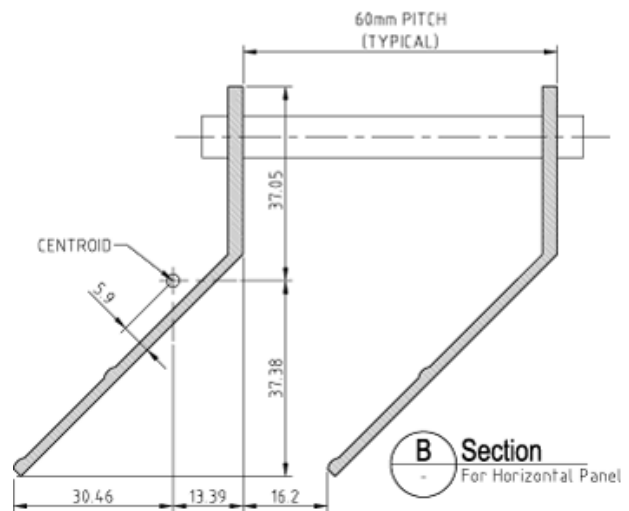
REAR VIEW
Not to Scale



A Section
For Vertical Panel



1 Section
Sun Screen Blade Profile



B Section
For Horizontal Panel

REGION FOR HORIZONTAL PANEL

Area	211.2440
Perimeter	187.2761
Bounding Box	X: -30.4552 -- 13.3854 Y: -37.3795 -- 37.0469
Centroid:	X: 0.0000 Y: 0.0000
Moments of inertia:	X: 96364.7917 Y: 40626.5566
Product of inertia	XY: 57906.0748
Radii of gyration	X: 21.3583 Y: 13.8680
Principal moments and X-Y direction about centroid:	I: 4232.1448 along [0.5321, 0.8467] J: 132759.2035 along [-0.8467, 0.5321]
Weight (kg)/m ²	11.2 kg per sqm

REGION FOR VERTICAL PANEL

Area	211.2440
Perimeter	187.2761
Bounding Box	X: -37.3795 -- 37.0469 Y: -30.4552 -- 13.3854
Centroid:	X: 0.0000 Y: 0.0000
Moments of inertia:	X: 40626.5566 Y: 96364.7917
Product of inertia	XY: 57906.0748
Radii of gyration	X: 13.8680 Y: 21.3583
Principal moments and X-Y direction about centroid:	I: 4232.1448 along [0.8467, 0.5321] J: 132759.2035 along [-0.5321, 0.8467]
Weight (kg)/m ²	11.2 kg per sqm

