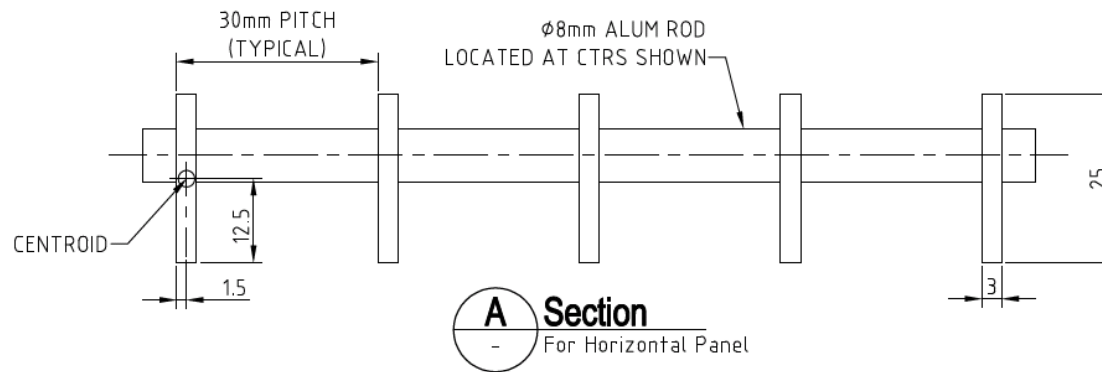


FRONT VIEW
Not to Scale



REGION FOR HORIZONTAL PANEL	
Area	140.0396
Perimeter	161.2326
Bounding Box	X: -29.3412 – 14.0752 Y: -33.2623 – 28.3141
Centroid:	X: 0.0000 Y: 0.0000
Moments of inertia:	X: 45786.4003 Y: 27115.2790
Product of inertia	XY: 33925.0622
Radii of gyration	X: 18.0818 Y: 13.9149
Principal moments and X-Y direction about centroid:	I: 1264.7268 along [0.6061, 0.7954] J: 71636.9525 along [-0.7954, 0.6061]
Weight (kg)/m ²	8 kg per sqm

