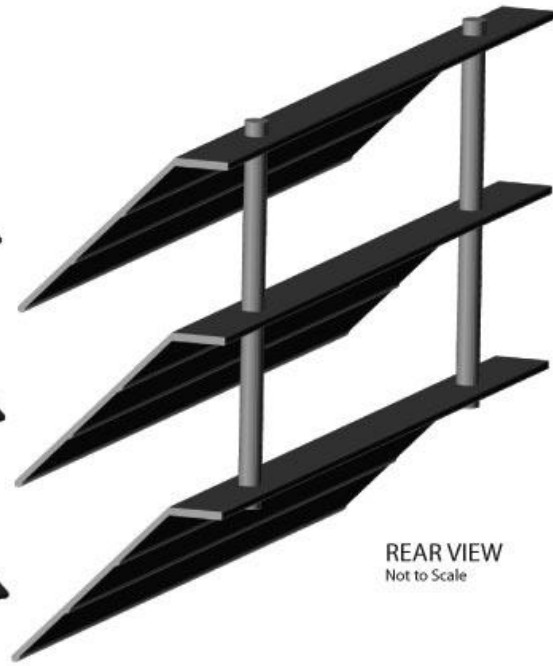
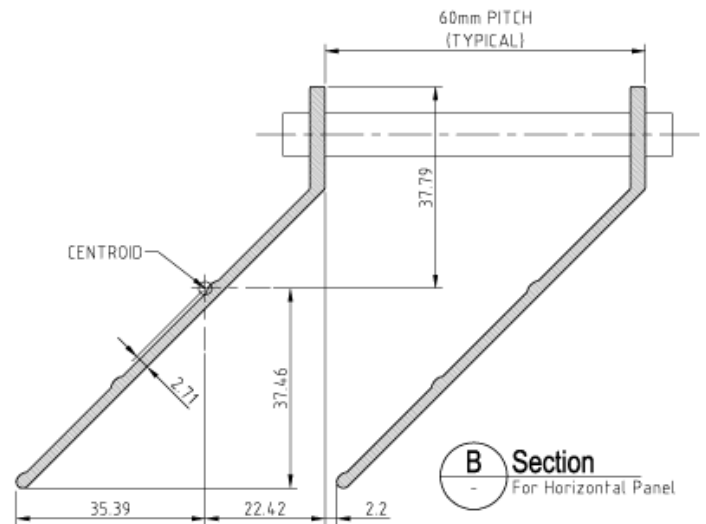
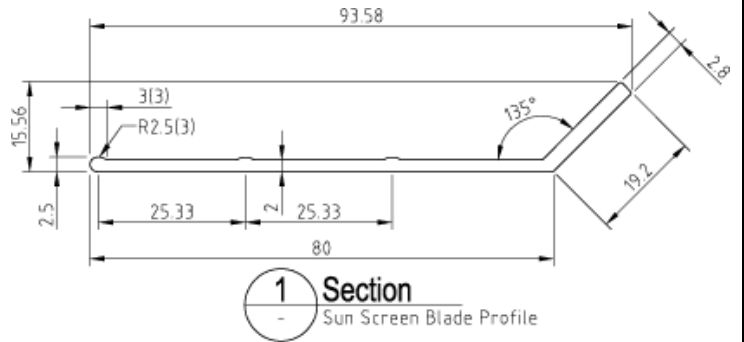
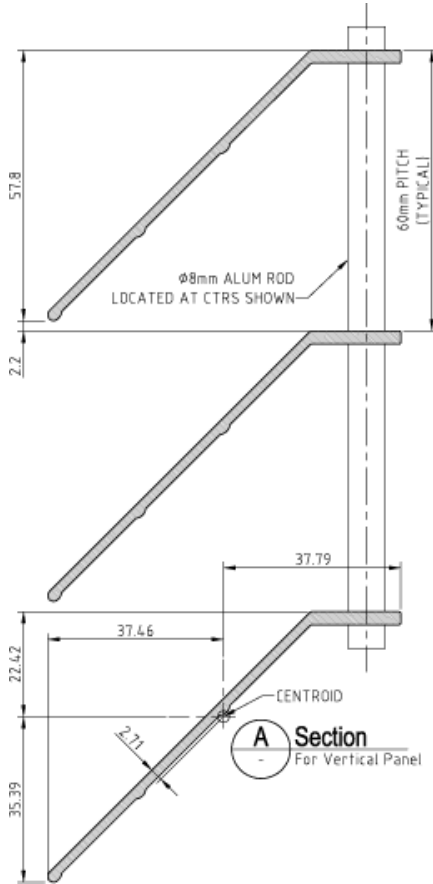


**FRONT VIEW**  
Not to Scale



**REAR VIEW**  
Not to Scale



**REGION FOR HORIZONTAL PANEL**

Area	214.3140
Perimeter	200.7980
Bounding Box	X: -35.3945 -- 22.4240 Y: -37.4603 -- 37.7905
Centroid:	X: 0.0000 Y: 0.0000
Moments of inertia:	X: 100137.6825 Y: 73465.4104
Product of inertia	XY: 84071.2308
Radii of gyration	X: 21.6159 Y: 18.5147
Principal moments and X-Y direction about centroid:	I: 1679.1383 along [0.6494, 0.7605] J: 171923.9546 along [-0.7605, 0.6494]
Weight ( kg)/m <sup>2</sup>	10.7 kg per sqm

**REGION FOR VERTICAL PANEL**

Area	214.3140
Perimeter	200.7980
Bounding Box	X: -37.4603 -- 37.7905 Y: -35.3945 -- 22.4240
Centroid:	X: 0.0000 Y: 0.0000
Moments of inertia:	X: 73465.4104 Y: 100137.6825
Product of inertia	XY: 84071.2308
Radii of gyration	X: 18.5147 Y: 21.6159
Principal moments and X-Y direction about centroid:	I: 1679.1383 along [0.6494, 0.7605] J: 171923.9546 along [-0.7605, 0.6494]
Weight ( kg)/m <sup>2</sup>	10.7 kg per sqm

